



SOMAS 3-piece full bore ball valve

S36 FBG / S36 FBS / S36 FBF

Si-704 EN

Edition: 2006-02

Nominal pressure	—	PN 50
Nominal size (FBG)	—	DN 8 - 50
Nominal size (FBS)	—	DN 8 - 100
Nominal size (FBF)	—	DN 15 - 100

The SOMAS full bore valve is a 3-piece valve. The valve has two end caps and a valve body with an ISO standard actuator mounting flange. Body and end caps are held together with bolts.

The valve is suitable for most liquids and gases within process industries.

End caps are available with threaded ends S36 FBG, with short weld ends S36 FBS or S36 FBS-L long weld ends and with flanges S36 FBF.

The valve design is maintenance free. To disassemble only one screw need to be removed (DN8-50) before the body can be tilted out. Inspection and/or replacement of wearing parts can easily take place without costly dismantling. Two bolts have to be removed for valve sizes DN65-100.

Two types of seat material are available: PTFE as standard and PTFE-25 (carbon filled) for steam applications.

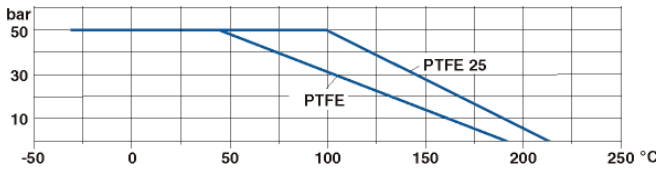
The valves can also be delivered with a DIN 50049/3.1.B EN 10204-3.1.B certificate.

The valves comply with PED and are marked CE 0035.





Pressure and temperature curve



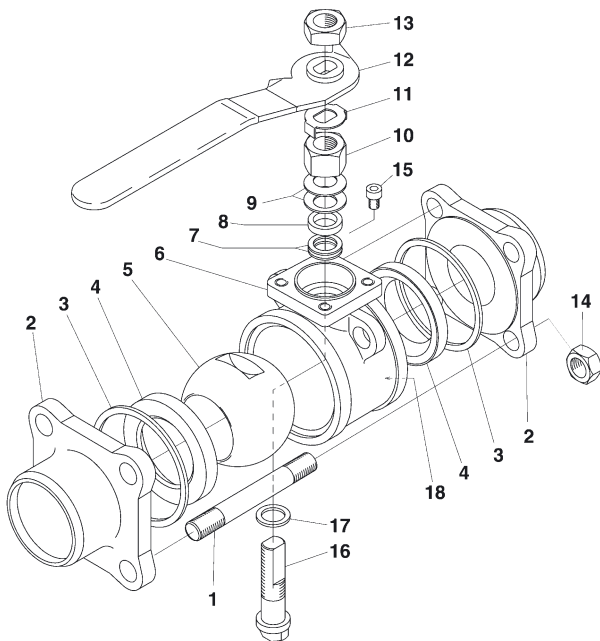
Types and materials

Type	DN	Connection	Body/Ball/End cap	Seat
S36 FBG	8-50	Threaded ends (BSP)	CF8M	PTFE
S36 FBS	8-100	Weld ends (Butt weld)	CF8M	PTFE
S36 FBSL	10-100	Long welds ends	CF8M	PTFE
S36 FBF	15-100	Flanged end caps (DIN PN 40)	C 8M	PTFE

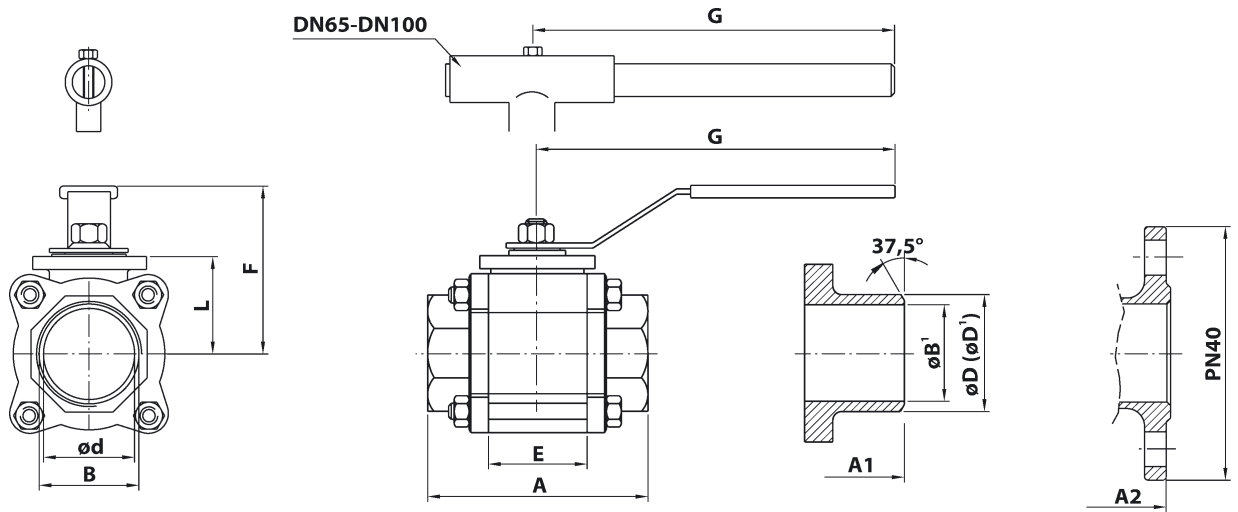
Type	DN	Connection	Body/Ball/End cap	Seat
S36 FBG-25	8-50	Threaded ends (BSP)	CF8M	PTFE 25
S36 FBS-25	8-100	Weld ends (Butt weld)	CF8M	PTFE 25
S36 FBSL-25	10-100	Long welds ends	CF8M	PTFE 25
S36 FBF-25	15-100	Flanged end caps (DIN PN 40)	CF8M	PTFE 25

CF8M stands for A 351 CF 8M which is comparable to SS 2343, AISI 316 or W.

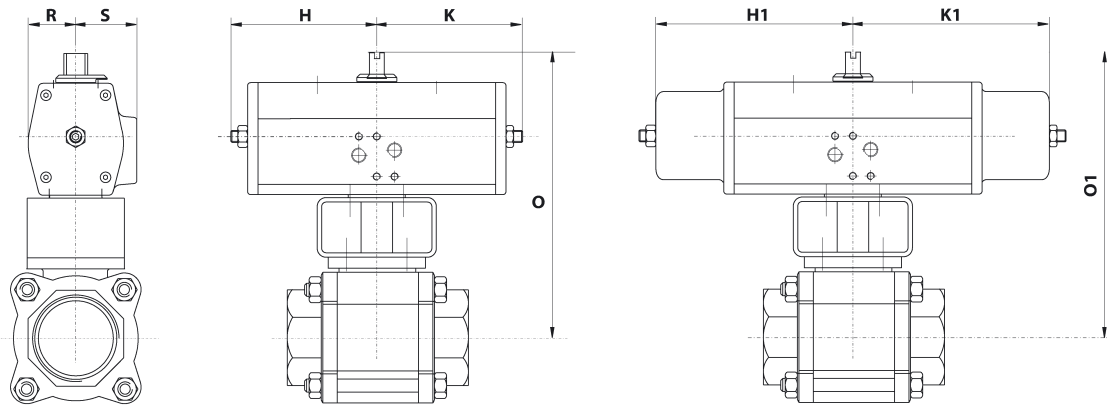
Spare parts



Item No.	DN 8-40	DN 50	DN 65-80	DN 100	Detail	Material
	Q'ty	Q'ty	Q'ty	Q'ty		
1	4	4	6	8	Bolt	Stainless steel
2	2	2	2	2	End cap	CF8M
3	2	2	2	2	Sealing ring	PTFE
4	2	2	2	2	Seat	PTFE/PTFE 25
5	1	1	1	1	Ball	CF8M
6	1	1	1	1	Body	CF8M
7	1	1	1	1	Sealing ring	PTFE
8	1	1	1	1	Bushing	AISI 316
9	2	2	2	2	Spring washer	Stainless steel
10	1	1	1	1	Nut	Acidproof steel /A4
11	1	1	1	1	Locking washer	Acidproof steel /A4
12	1	1	—	—	Lever	Stainless steel/Vinyl
12	—	—	1	1	Lever	Stainless tube
13	1	1	—	—	Nut	Acidproof steel /A4
13	—	—	1	1	Screw	Acidproof steel /A4
14	8	8	12	16	Nut	Acidproof steel /A4
15	1	1	1	1	Screw	Acidproof steel /A4
16	1	1	1	1	Stem	316 S.S.
17	1	1	1	1	Sealing washer	PTFE
18	—	1	1	1	Support ring	CF8M



DN	A FBG	A1 FBS	A1 FBS-L	A2 FBF	B BSP	B ¹	ød	øD	(øD ¹)	E	F	G	L	Mounting flange	Weight FBG	Weight FBS	Weight FBF
8	70	70	220	—	¼"	8	11.1	14	—	20.6	55	125	26.8	F03	0.5	0.5	—
10	75	70	220	—	⅜"	10	11.1	17.5	12	20.6	55	125	26.8	F03	0.5	0.5	—
15	85	75	225	130	½"	15	14.2	22	18	24.6	58	125	29.2	F03	0.5	0.5	2
20	95	90	240	150	¾"	20	20.7	27.5	23	31.8	72	150	38.7	F04	1	1.0	3
25	105	100	250	160	1"	25	25.4	34.5	28	41.3	77	150	43.7	F04	1.5	1.5	4
32	120	110	260	180	1¼"	32	31.8	43	35	48.4	90	185	50.7	F05	2	2.0	6
40	130	125	275	200	1½"	40	38.1	49	43	56.4	90	185	55.7	F05	3	3.0	7
50	150	150	300	230	2"	50	50.8	61	53	67	115	200	66.1	F07	4.5	6	10
65	—	190	340	290	—	65	63.5	77	69	83	182	325	101.6	F07	—	10.5	18
80	—	220	370	310	—	80	76	91	84	100.3	192	410	111.6	F10	—	16	25.5
100	—	270	420	350	—	100	100	117	104	130	210	490	129.1	F10	—	20	40.5



Ball valve with actuator type Remote																
DN	Actuator		H	K	O	R	S	Weight			Actuator			Weight		
	Type	Type						FBG	FBS	FBF	Type	H1	K1	O1	FBG	FBS
8	RC210-DA	RC210-SR087	45	98	162	32	41	2.1	2.1	—	45	150	162	2.4	2.4	—
10	RC210-DA	RC210-SR087	45	98	162	32	41	2.4	2.4	—	45	150	162	2.4	2.4	—
15	RC210-DA	RC210-SR087	45	98	165	32	41	2.1	2.1	3.6	45	150	165	2.4	2.4	3.9
20	RC210-DA	RC210-SR087	45	98	174	32	41	2.5	2.5	4.5	45	150	174	2.8	2.8	4.8
25	RC210-DA	RC210-SR087	45	98	179	32	41	3.0	3.0	5.5	45	150	179	3.3	3.3	5.8
32	RC220-DA	RC220-SR087	98	98	186	32	41	3.9	3.9	7.9	150	150	186	4.5	4.5	8.5
40	RC220-DA	RC230-SR087	98	98	191	32	41	4.9	4.9	8.9	150	150	211	7.5	7.5	11.5
50	RC230-DA	RC230-SR087	65	135	257	49	55	8.7	10.2	14.2	65	200	257	9.4	10.9	14.9
65	RC230-DA	RC240-SR087	65	135	292	49	55	—	14.8	22.3	65	200	312	—	18.3	25.8
80	RC240-DA	RC250-SR087	135	135	322	49	55	—	22.7	32.2	200	200	322	—	30.2	39.7
100	RC240-DA	RC260-SR087	135	135	340	49	55	—	26.7	47.2	200	200	340	—	40.3	60.8

SR 087 =Air supply 5,5 bar/80 psi and springs for 87 psi



Actuating

SOMAS 3-piece full bore ball valves are designed for use as hand operated or actuated on/off valves. The ball valve is as standard equipped with a handle for manual operation.

The valve have an ISO standard actuator mounting flange and can be supplied with actuators for remote control. The valves are delivered as tested units ready for installation. See sections 4 and 5 of the SOMAS catalogue where actuators, limit switches and accessories are described.

We can also fit other types of actuators and accessories in accordance with your specification.

For control applications, Somas ball segment valves type KVT/KVX and KVTW/KVXF are recommended.

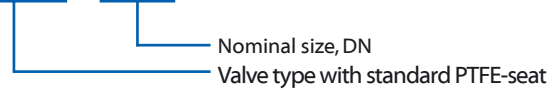
For ordering

See valve specification system and also state type of actuator, limit switches and accessories.

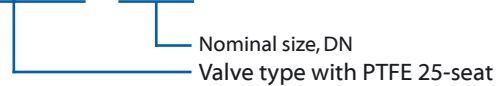
Valve specification system

Ordering example:

A **S36 FBG – DN 50**



B **S36 FBG-25 – DN 50**



Types

- S36 FBG = Threaded ends
- S36 FBS = Weld ends
- S36 FBS-L = Long weld ends
- S36 FBF = Flanged ends

Somas reserve the right to make improvements without prior notice.



SOMAS®

P.O. Box 107, SE-661 23 SÄFFLE, SWEDEN

PHONE: +46 533 167 00

FAX: +46 533 141 36

E-mail: sales@somas.se

www.somas.se

Representative