

## Valve Mounting Kits and Accessories

Valvekits has been in existence for over 20 years, in more recent times as part of the Rotork group of companies. We offer a broad range of valve and actuator mounting brackets, couplings and positioner brackets.

Valvekits holds an enviable reputation for producing quality stainless steel products with deliveries made within days of ordering, both in the UK and throughout Europe. A 48-hour delivery service can be undertaken upon request.

Valvekits offer products associated with the valve and actuator package, ranging from solenoid valves to positioners; switchboxes to declutchable gearboxes. Products such as spring return levers, locking devices and extension stems are also available.

### Switchboxes



- Various options include standard V3 switches, intrinsically safe sensors and pneumatic switches
- Full range of switchboxes available for Safe, Explosion proof and Intrinsically safe areas. Bespoke models available on request

Contact Valvekits for further details.

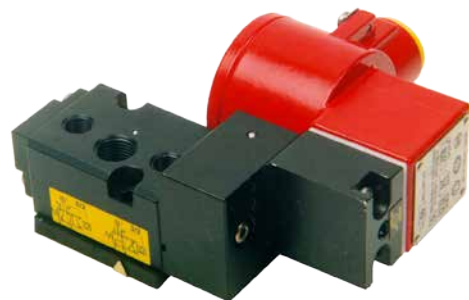


### Mounting Kits

- Manufacture and design of kits for quarter and multi-turn valves to pneumatic and electric actuators
- Stainless steel and Mild steel kits available for quarter-turn valves either box section or enclosed spool type kits
- Specifically designed accessory brackets available
- Full assembly and test available of actuated packages

Contact Valvekits for further details.

### Solenoid Valves



Valvekits have available a large range of quality solenoid valves to cover all the range of safe and hazardous areas. These include Exia and Exd in various materials with NAMUR and remote mount options.

Contact Valvekits for further details.

---

# rotork® Valvekits

## Spring Return Handles



Guarantee failsafe operation for Ball valves, the Spring Return Handle (SRH) will mount on any ball valve, either "direct on" or with a mounting kit designed to suit application.

- Ball valves with torque of 24 or 45.5 Nm
- F03, F05, F07 pcds
- Direct mount or with mounting kit
- Sealed for life, zero maintenance
- Stainless steel handle, shaft and fasteners, precision die cast body
- Durable powder coated finish

## Locking Devices



- Locking devices can be designed for ball, butterfly and gate valves
- Two options are open/closed and multi-position
- Material can be either stainless steel or mild steel

Contact Valvekits for further details.

## Stainless Steel Spring Return Handles



- Direct mount to ISO top valves
- Can be fitted to valves already in service
- Bearings ensure minimum side loading on valve stem
- Stem/Gland leakage drain hole
- Available in two sizes: 6 Nm and 12 Nm

Contact Valvekits for further details.

## Handwheels



- 125 mm - 2000 mm diameter
- Stainless steel or powder coated
- Keyed, pinned or square drive
- Fabricated or pressed design
- Oval or round designs for small valves
- Open and closed indication marking

---

## Redefining Flow Control

### Spool and Pedestal Adaptors



Quarter-turn valve adaption for rack and pinion or pneumatic actuators can be provided in the form of spool or pedestal type mounting kits. These are fully enclosed adaptors with options of DD, square or keyed drives.

- Valves from 1/4" to 48"
- F03 - F35 Flanges - ISO 5211/DIN 3337
- Welded to ASME 9 standards
- 100 - 500 mm in length
- Construction materials will be carbon steel, supplied complete with fasteners, painted or natural

### Extension Spindles

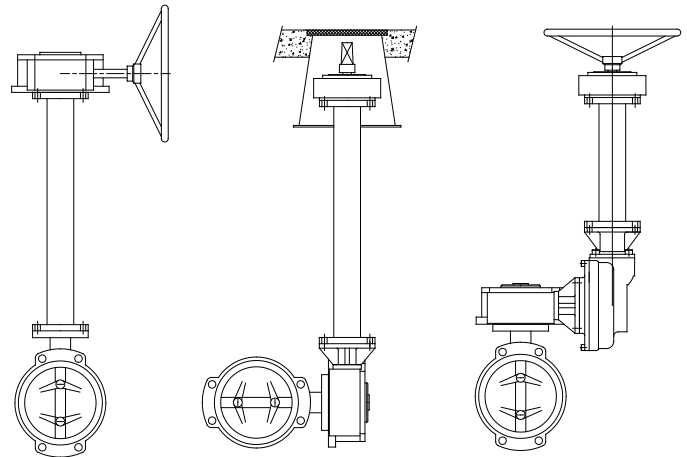
Remote actuator mounting can be achieved using valve extension spindles or pedestal adaptors. Design and manufacture is done in house for specific applications. Lengths can be from 500 mm to 8 metres, in stainless steel or carbon steel.

- Underground applications
- Customer specified extension
- Plain or dynamic bearings
- Welded construction for weight saving
- Position indication option
- Suitable for manual or actuated drives

### Chainwheels and Restrain Cables



- Cast iron chain wheels from 6" - 30" (150 mm - 760 mm) diameter
- Chain guides and bearing are standard
- Galvanised chain, any length
- Epoxy coating for durability available
- Chain restraint cables are now available for all sizes
- Optional 316 Stainless Steel chainwheel and chain for handwheel diameter 40 mm - 940 mm
- Optional adaption design to suit application
- Optional stainless steel chain



# rotork® Valvekits

## ECL Position Indicator

For use when valve and gearbox are buried, the ECL enables the operator to see the position of the valve. It can also be used for underground application where the valve and gearbox are in a chamber making it awkward for the operator to see the valve position.



- Remote position indicator made out of a set of gears depending on the gearbox ratio
- They are boxed in an Aluminium housing
- The ECL comes with an F10 base plate to fit any extension with F10

## Quarter-turn Gearboxes

For the operation of ball, butterfly, plug and any other quarter-turn valves.

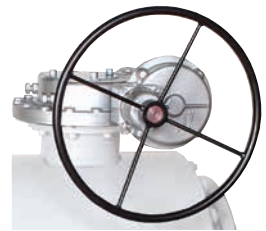
### AB Range

- 15 models up to 32,000 Nm
- Manual operation
- Various options available



### IW Range

- IW3 - 13 up to 280,000 Nm
- IW14 - 17 up to 850,000 Nm
- Manual and motor operation
- Various options available



## Multi-turn Bevel Gearboxes

For the operation of gate, globe, sluice, penstocks and any other multi-turn valves where the operation is from the side.

- Torque up to 10,846 Nm
- Thrust up to 1,557 kN
- Manual and motor operation
- Various options available



## Multi-turn Spur Gearboxes

For the operation of gate, globe, sluice, penstocks and any other multi-turn valves where the operation is from the top.

- Torque up to 46,100 Nm
- Thrust up to 4,350 kN
- Manual and motor operation
- Various options available



A full listing of our products and services is available at:



[www.valvekits.co.uk](http://www.valvekits.co.uk)

**Rotork Valvekits UK  
Valvekits**  
Brookside Way, Nunn Park,  
Huthwaite, Nottinghamshire,  
NG17 2NL England

tel +44 (0)1623 440211  
fax +44 (0)1623 440214  
email [sales@rotorkvalvekits.com](mailto:sales@rotorkvalvekits.com)

**Rotork Valvekits Americas  
Renfro Associates Inc**  
501 South 12th Street  
Broken Arrow, OK  
74012 United States

tel +1 (918) 259-8100  
fax +1 (918) 259-9167  
email [info@renfroassociates.com](mailto:info@renfroassociates.com)